

NON-METERED COMMERCIAL WASHER



Featuring Mechanical Controls



2013 Department of Energy Compliant
Modified Energy Factor: 1.85

Water Factor: 6.85

On average, uses 20 gallons per cycle—the
lowest water consumption for Whirlpool®
Commercial top-load washers.

FOR YOUR CUSTOMERS

- Large Capacity Wash Basket is Ideal for Family-Size Loads
- Proven Cleaning Performance
- Extra-Large Lid and Tub Opening
- 5 Cycle Options: Heavy Duty, Normal, Delicates, Drain & Spin, Rinse & Spin
- Separate Temperature Controls
- Ergonomic Control Knobs
- Gentle Agitation

AUTOMATIC LOAD SENSING

Adjusts water fill level based on load size, reducing water usage by up to 18 gallons per wash cycle.

BALANCE RING ADAPTER—CLOTHES GUARD

Discourages overloading and keeps small items out of the pump.

SECURE LID SYSTEM WITH SAFE RELEASE

To help ensure safe operation, the lid locks at start of cycle. Prevents damage when forced open.

INDUSTRIAL STRENGTH WATER INLET HOSES

- Tested to 1100 PSI
- Extra-Long 6' Hoses



CAE2793BQ—27" Non-Metered Commercial Washer

- 2.9-Cu.-Ft. Wash Basket
- Low Water Factor
- 5 Cycles: Heavy Duty, Normal, Delicates, Drain & Spin, Rinse & Spin
- Cycle Indicator LEDs
- Powdered Paint Top and Lid, Rustproof Stainless Steel Torx® Control Panel Screws
- Galvanized, Heavy-Gauge Cabinet Back, Side and Front Panels
- High-Speed Spin—700 RPM (maximum)
- 1/3 HP Motor
- **90-Day Labor/2-Year Limited Parts Only Warranty***

*Call 1-800-662-3587 for warranty details.

NON-METERED COMMERCIAL WASHER

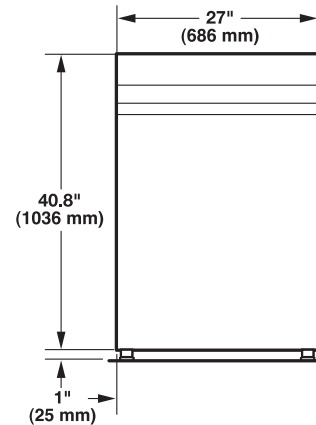


Featuring Mechanical Controls

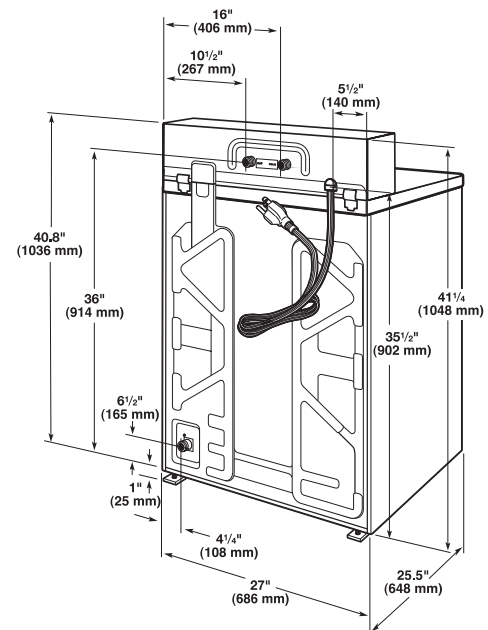
Whirlpool® Non-Metered Commercial Washer Mechanical Controls

WASHER SPECIFICATIONS	
MODEL	CAE2793BQ
GENERAL INFORMATION	
Modern design and look with all metal console and ergonomic control knobs. Automatic lid lock feature.	Large Capacity 2.9-Cu.-Ft. Basket
BASKET VOLUME	2.9 Cu. Ft.
MOTOR	
120 Volt, 1/3 HP, 1/4 kw, with thermal overload protection	Single-speed, permanent split capacitor, reversible motor
Spin RPM—Maximum	700
MAXIMUM RATED CURRENT—AMPS (VOLT)	8 (120)
ELECTRICAL REQUIREMENTS	120V, 60 Hz
SHIPPING WEIGHT (EST.)	137 Lbs. Crated, 122 Lbs. Uncrated
DIMENSIONS	
Cabinet Width—in. (mm)	27 (686)
Cabinet Depth—in. (mm)	25.5 (648)
Cabinet Height—in. (mm)	40.8 (1036)

Dimensions are for planning purposes only. For complete information, see installation instructions packed with product.



WASHER FRONT VIEW



WASHER BACK VIEW



To Locate a Distributor Near You, Please Visit www.whirlpoolcommerciallaundry.com/distributor, or call 1-800-662-3587.