

EXTRA-LARGE CAPACITY COMMERCIAL DRYER



Featuring Microprocessor Controls



CED8990XW—27" Electric Dryer with Metercase
CGD8990XW—27" Gas Dryer with Metercase
YCED8990XW—Canadian 27" Electric Dryer with Metercase

Machine Accepts the Following
Compatible Payment Systems:

- Coin Slide
- Coin-Drop
- Card Reader
- Non-Coin Payment Configurations
- Four Roller Suspension with Permanently Lubricated Bearings
- Push-Button Controls
- Large Lint Screen (84 Sq. In.)
- Blower Guard Reduces Service Calls
- Front Control Panel 22° Angle
- Reversible Door
- Front Service Accessibility
- Electric Heating Element at 5600 Watts, 240 Volt
- Gas Model Features a 24K BTU Burner
- Motor: 1/3-HP with Built-In Overload Protector; Centrifugal Switch Turns Off Heating Element in the Event of a Broken Belt
- 4-Way Venting from Left or Right Side, Back or Bottom
- ADA-Compliant Without Optional Pedestal
- 3-Year Limited Parts Only Warranty*

*Call 1-800-NO-BELTS for warranty details.

LARGE 6.7 CU. FT. DRUM CAPACITY

- Ideal for Handling Family-Size Loads
- Reduces Dry Time

INDUSTRIAL GRADE CABINET

- Porcelain Finish with Integrated Backsplash
- Resists Chipping and Scratching

LARGE CAPACITY METERCASE

- Larger Coin Box for Reduced Collections
- Accepts Coin Slide, Coin-Drop, Card Reader and Non-Coin Payment Configurations

MICROPROCESSOR CONTROLS

- Time Remaining Display
- Front Controls for Ease-of-Use
- Card Reader Compatible
- Time of Day Pricing

HIGH VELOCITY AIRFLOW SYSTEM

- Whirlpool® Commercial dryer's blower system increases air velocity. This increases efficiency, heating element life, and improves installation. You can now vent up to 100 ft. with three elbows, and one angled hood for versatility.

ADA-COMPLIANT WITHOUT OPTIONAL PEDESTAL

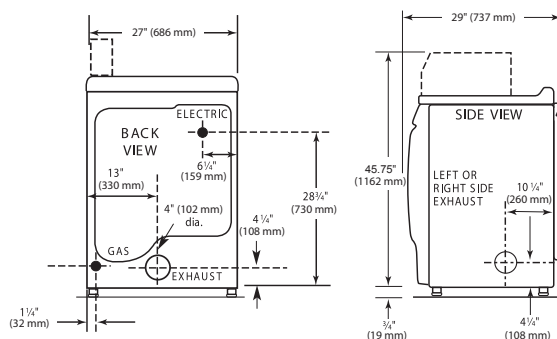
EXTRA-LARGE CAPACITY COMMERCIAL DRYER



Featuring Microprocessor Controls

Whirlpool® Extra-Large Capacity Commercial Dryer Coin-Drop Ready

DRYER SPECIFICATIONS	
MODELS	CED8990XW/CGD8990XW/YCED8990XW
MOTOR	
Single-phase, thermoprotected against overload, auto-reset	
HP (kw)	1/3 (.25)
CAPACITY	
Cu. ft. (liters)	6.7 (190)
DOOR OPENING DIAMETER	
In. (mm)	18.25 (464)
AIRFLOW	
Gas models — cfm (cmm)	230 (6.5)
Electric models — cfm (cmm)	215 (6.1)
Tumble speed — RPM	50 ± 1
ELECTRICAL REQUIREMENTS	
CED model — Voltage	240V/60Hz
CGD model — Voltage	120V/60Hz
BREAKER/FUSE REQUIREMENTS	
CED model — Amps	30
CGD model — Amps	15
YCED Canadian model — Amps	40
EXHAUST DUCT DIAMETER	
In. (mm)	4 (100)*
ELECTRONIC BURNER IGNITION	
CGD model	Yes
HEATING ELEMENT RATING	
CGD model — BTU/hr. (kcal/hr.)	24,000 (6,048)
CED model — Electric heating element — watts	5,600
YCED Canadian model — Electric heating element — watts	5,300
GAS INLET	
CGD model — in.	3/8 N.P.T.
ADJUSTABLE LEVELING LEGS	Yes
APPROXIMATE WEIGHT	
Crated — lbs. (kg)	163 (74)
Uncrated — lbs. (kg)	150 (68)
DIMENSIONS	
Width — in. (mm)	27 (686)
Depth — in. (mm)	29 (737)
Height — in. (mm)	45.75 (1162)**
*Use a 4" (100mm) diameter rigid aluminum or galvanized steel duct. Never use plastic, nonmetal or combustible duct.	
**Height at metercase top does not include pedestal.	
See specific instructions for proper installation. Because of continuous product improvement, Whirlpool reserves the right to change specifications without notice.	
Power cords on electric models sold separately.	
LP Conversion Kit #W10135245 Pedestal Single Box Kit #WHP0400VW Pedestal Pack of 10 Kit #WHP0401VW	



Dimensions are for planning purposes only. See Whirlpool® Installation Instructions for full details.

MAXIMUM EXHAUST DUCT LENGTH PER NUMBER OF TURNS

Number Of 90° Turns	Rigid Metal Vent	
	Box Hood and Louvered Style	Angled Hood Style
0	135 ft. (41.2 m)	129 ft. (39.3 m)
1	125 ft. (38.1 m)	119 ft. (36.3 m)
2	115 ft. (35.1 m)	109 ft. (33.2 m)
3	106 ft. (32.3 m)	100 ft. (30.5 m)
4	98 ft. (29.9 m)	92 ft. (28.0 m)

Number Of 90° Turns	Flexible Metal Vent	
	Box Hood and Louvered Style	Angled Hood Style
0	76 ft. (23.2 m)	62 ft. (18.9 m)
1	71 ft. (21.6 m)	57 ft. (17.4 m)
2	67 ft. (20.4 m)	53 ft. (16.2 m)
3	65 ft. (19.8 m)	51 ft. (15.6 m)
4	63 ft. (19.2 m)	49 ft. (14.9 m)



3-YEAR LIMITED PARTS ONLY WARRANTY

For a period from the date of original purchase through the time listed above, the designated parts that fail in normal commercial use will be repaired or replaced free of charge for the part itself, with the owner paying all other costs, including labor, transportation and customs duty. Chemical damage is excluded from all warranty coverage. See complete warranty for details.

NEW YORK CITY M.E.A.



To Locate a Distributor Near You, Please Visit www.whirlpoolcommerciallaundry.com/distributor, or Call 1-800-N0-BELTS.